



**Micro-Distributed Generation Application Form (DG≤10 kW)**

**Part 1**

**Applicant Information**

Company/Owner Name: \_\_\_\_\_

Contact Name: \_\_\_\_\_

Mailing Address: \_\_\_\_\_

Phone Number: \_\_\_\_\_ Fax Number: \_\_\_\_\_

E-Mail Address: \_\_\_\_\_ Request Date: \_\_\_\_\_

Existing Energy+ Inc. Customer:  Yes  No

If yes, Account Number: \_\_\_\_\_

**Proposed Generation Location Information**

Site Address: \_\_\_\_\_

City/Town/Township: \_\_\_\_\_

Lot Number: \_\_\_\_\_

Concession Number: \_\_\_\_\_

**Program Type**

Net Metering

MicroFIT, Reference Number: \_\_\_\_\_

Other: \_\_\_\_\_

**Project Information**

Proposed In-Service Date (dd/mm/yy): \_\_\_\_\_

Incremental Project:  Yes  No

If yes, Existing Generation Nameplate Capacity (kW): \_\_\_\_\_

Proposed Total Generation Nameplate Capacity (kW): \_\_\_\_\_

Proposed Service or Sub-Service Size (A): \_\_\_\_\_

**Part 2**

Generation Connection Type:  Single Phase  Three Phase **Date:** \_\_\_\_\_

*Fuel Type:*

Wind  Water  Biomass  Bio-gas  Landfill Gas  
 Solar (Rooftop)  Solar (Ground Mounted)  Other: \_\_\_\_\_

Manufacturer (PV panel): \_\_\_\_\_

Model Number (PV panel): \_\_\_\_\_

Number of PV panels: \_\_\_\_\_

**Generator/Inverter Information**

Number of Phases:  Single Phase  Three Phase

Type:  Synchronous  Induction  Inverter

Inverter Certification:  C22.2 #107.1  UL 1741  Site Certified by the ESA

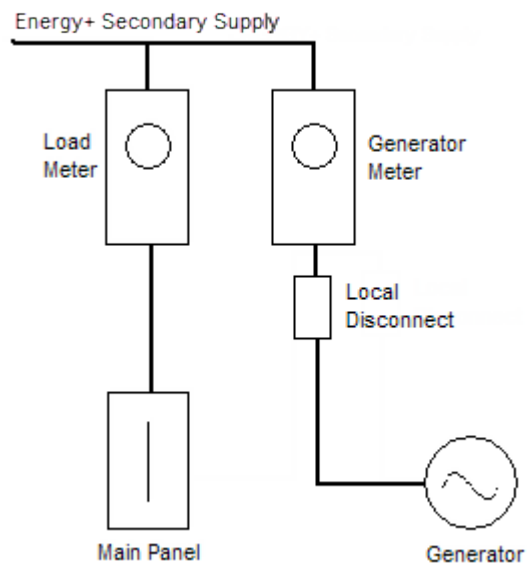
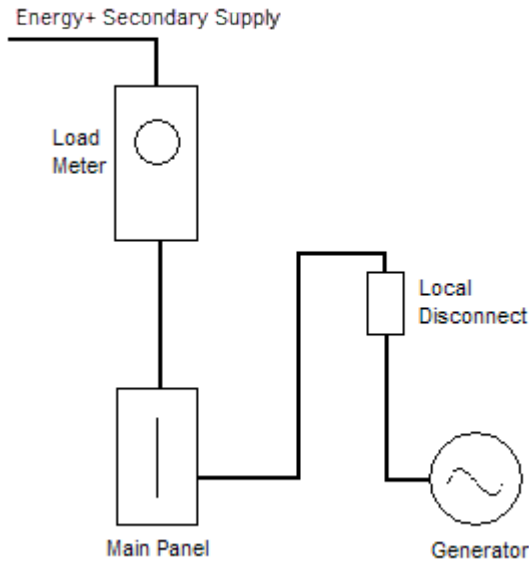
Nameplate Rating (kW): \_\_\_\_\_ Output Voltage (V): \_\_\_\_\_

Manufacturer: \_\_\_\_\_

Model Number: \_\_\_\_\_

**Metering Connection Setup**

Net Metering/Load Displacement  Indirect Parallel Connection



**Renewable Generation Contact Information:**

Energy+ Inc.  
Attn: Gurdeep Bansal, P.Eng.  
Supervisor, Metering & Distributed Energy Resources  
1500 Bishop Street  
P.O. Box 1060  
Cambridge, ON  
N1R 5X6

(519) 621-3530 x 2414  
[generation@energyplus.ca](mailto:generation@energyplus.ca)

**Notice of Collection**

Personal information is collected on this form by Energy+ Inc. under the authority of the Electricity Act, S.O. 1998, Chapter 15, Schedule A. The principal purpose for the information we are collecting is to accurately deliver our services to you, billing and collection, and ensuring that we are dealing with only you or individuals you have authorized. Personal information will be used only for the purposes set out in Energy+'s Privacy Policy. Learn more [www.energyplus.ca/privacy](http://www.energyplus.ca/privacy)

If you have any questions about this collection, the ways in which your personal information may be used by Energy+, or would like further information about Energy+'s privacy policies, please contact: Energy+'s Chief Privacy Officer, 1500 Bishop Street, Cambridge, ON by phone 519-621-3530, or by e-mail at: [privacy@energyplus.ca](mailto:privacy@energyplus.ca).